

# TT3 & TT4

Telescopic ladders 4 x 3 rungs and 4 x 4 rungs



TT3 freestanding



TT4 freestanding



TT3

Master

## PRODUCT +

### MULTIPURPOSE WITH ADJUSTABLE HEIGHT

Height adjustable rung by rung by pulling the side handles.



Ultra-safe and automatic locking in the different positions.



Unlocking by mere pressure.

ULTRA-COMPACT for easy transport and storage..



"transport in a small vehicle" TT3

### TT3 maximum access height: :

- as lean-to ladder: 3,85 m.
- as freestanding ladder: 2,42 m

### TT4 maximum access height:

- as lean-to ladder: 5,00 m.
  - as freestanding ladder: 3,10 m
- Profiles on the articulated section in anodised aluminium to keep handles clean.

Non-slip rungs.

Distance between rungs 286 mm.

Maximum load capacity: 150 kg.

Splayed legs, 0,58 m wide which offer optimal stability.

Large non-slip feet.

## 3 possible positions

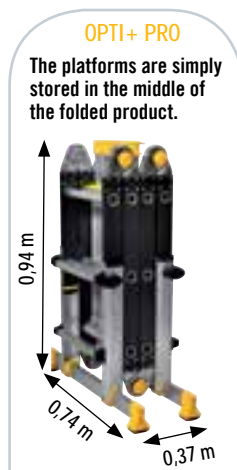
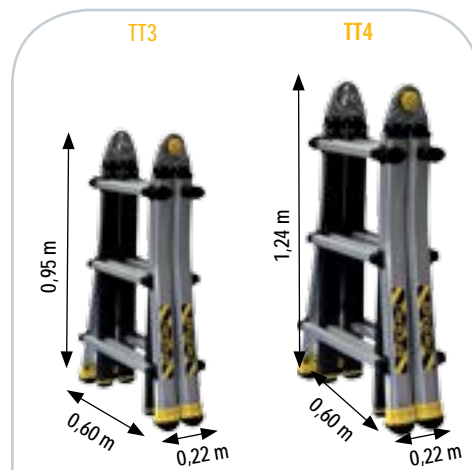
Staircase position



Lean-to ladder position



item code			(mm)	(m)	(m)	(m)	(mm)	(kg)
410843	3172964108430	4 x 3	72/62	2,95	3,85	2,42	585	9,50
410844	3172964108447	4 x 4	72/62	4,10	5,00	3,10	585	12,00



The platforms are simply stored in the middle of the folded product.

